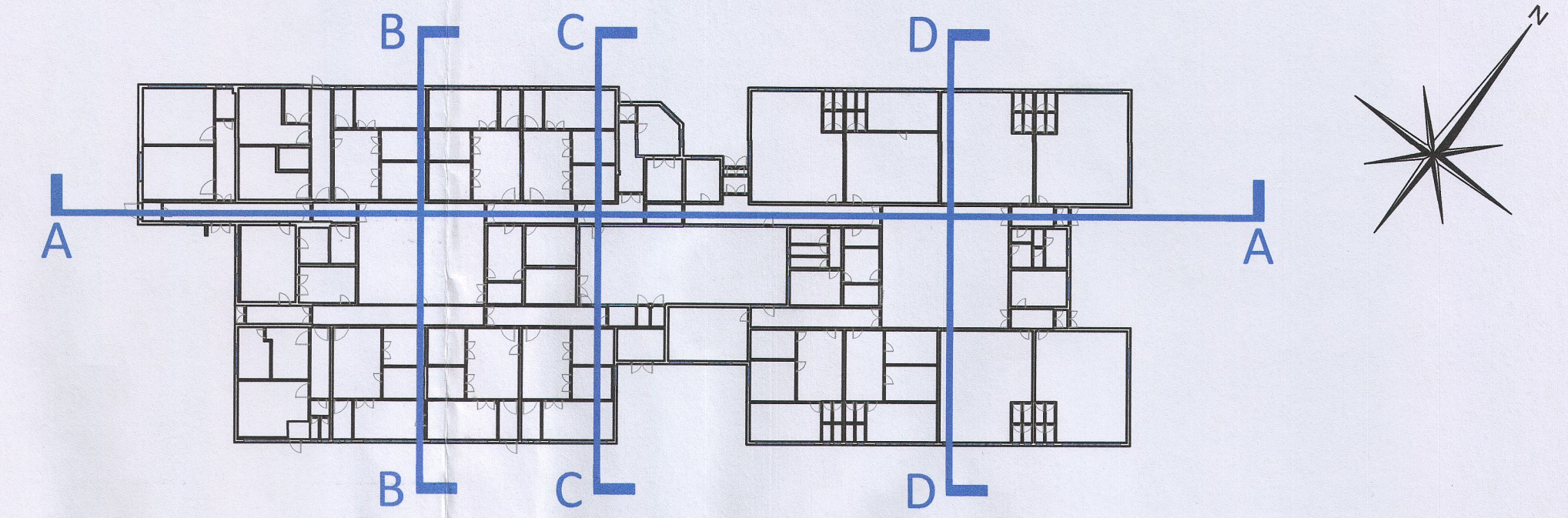
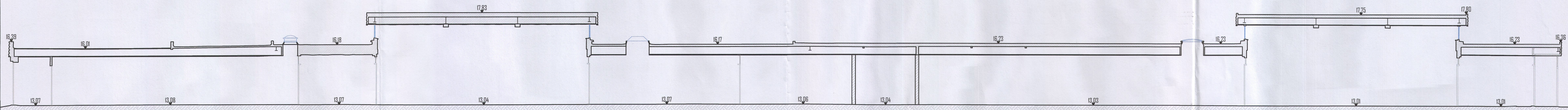


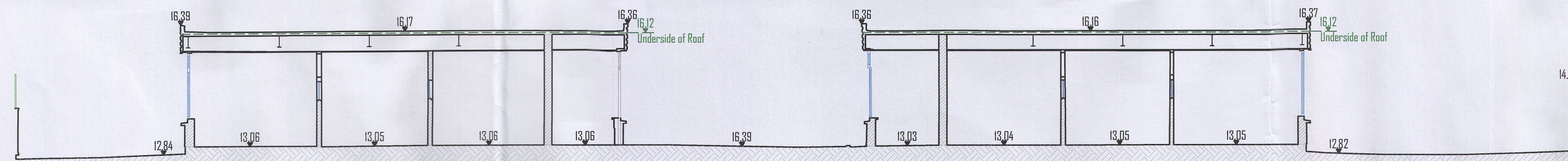
**1** EXISTING CROSS SECTION B-B  
SCALE 1:100



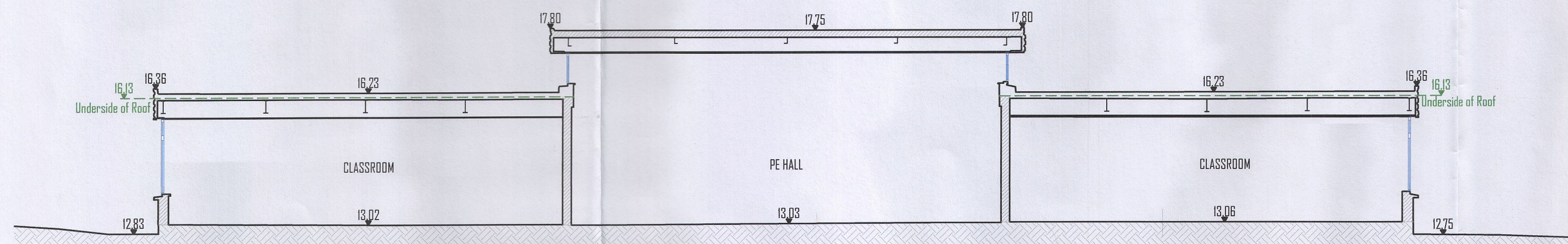
**5** KEY FLOOR PLAN  
SCALE 1:500



**2** EXISTING CROSS SECTION A-A  
SCALE 1:100

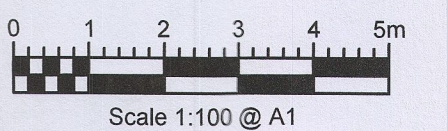


**3** EXISTING CROSS SECTION C-C  
SCALE 1:100



**4** EXISTING CROSS SECTION D-D  
SCALE 1:100

DEVELOPMENT MANAGEMENT  
CCP  
18 NOV 2021  
CORK CITY COUNCIL



Rev	Date	Inf	Revision
01	17.11.21	EP	Issued for Section 5 Exemption Application

EXISTING CROSS SECTIONS

PROJECT:  
Refurbishment & Retrofit Works @ St. Gabriel's  
Special School, Bishopstown, Co. Cork

**kobw**  
kelly.barry.obrien.whelan architects  
2 Empress Place, Summer Hill, Cork, T23 KH68, Ireland.  
t +353 21 4502319 f +353 21 4502454 e arch@kobw.ie w www.kobw.ie

JOB REF:	DWG NO:	DATE:
2757	SY-200	03.11.2021
MM	SK	Section 5 Exemption
		A1
		1:100 @ A1